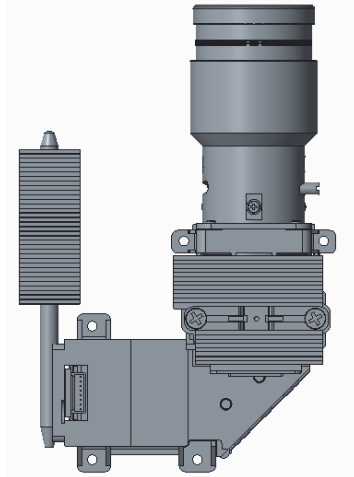




DY10EB100T15C

3D 打印投影光机

Projector engine for 3D Printing



显示芯片: Panel:	TI .47"1080P DMD
物理分辨率: Physical resolution:	1920×1080
光源: Light source:	UV LED ($\lambda=385\text{nm}$)
输出光功率: Output power:	3W
尺寸(mm): Dimension(mm):	154×104.5×51.7
对比度(FOFO): Contrast ratio(FOFO):	750:1
均匀性(JBMA): Uniformity (JBMA):	90%
偏轴: Offset:	0%
曝光面积: Exposure area:	192mm×108mm
工作距离: Working Distance:	287.3mm
像面像素尺寸: Image Pixel Size:	100um
畸变 (设计值) : Distortion (Design Value) :	0.1%